

# 10400 series

Professional pushbutton switches •  
threaded bushing Ø 10 mm



## DISTINCTIVE FEATURES

Threaded bushing dia. 10 (.393)

CECC approved

Available with black finish



## ELECTRICAL SPECIFICATIONS

- Max. current/voltage rating with resistive load : 3 A 24 VDC
- Minimum load : 100 µA 10 mV
- Initial contact resistance : 10 mΩ max.
- Insulation resistance : 1,000 MΩ min. at 5 00VDC
- Dielectric strength :  
1,000 Veff. 50 Hz min. between terminals of the same pole  
2,000 Veff. 50 Hz min. between terminals and frame  
2,000 Veff. 50 Hz min. between terminals of adjacent poles
- Electrical life : 50,000 cycles



## GENERAL SPECIFICATIONS

- Torque : 1.50 Nm (1.106 Ft.lb) max. applied to nut
- Operating temperature : -40 °C to +85 °C (-40 °F to +185 °F)
- Max. panel thickness : 3.5 mm (.138)



## MATERIALS

- Case : diallyphthalate (DAP)
- Actuator : brass, chrome plated
- Bushing : brass, nickel plated
- Housing : brass, nickel plated
- Contacts :  
- silver  
- gold plated silver
- Terminal seal : epoxy

APEM products may be recycled at end-of-life for the re-claiming of valuable metal components.

The company reserves the right to change specifications without notice.



# 10400 series

Professional pushbutton switches • threaded bushing Ø 10 mm

## AGENCY APPROVAL



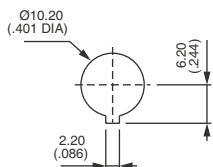
CECC 96401-001

**Availability** : consult factory for details of approved models.

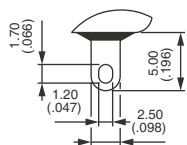
**Marking** : to order switches marked CECC, add "CECC" to model number.



## PANEL CUT-OUT

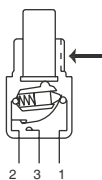


## TERMINALS

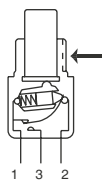


## ELECTRICAL FUNCTIONS

→ KEYWAY



Single pole



Double pole



## ABOUT THIS SERIES

Complete part numbers are shown on the following page.

- Sealing boots** are available to protect the switches against dust and water. See "Sealing boots" section of website.
- Mounting accessories** : standard hardware supplied with all models : 1 knurled nut, 1 hex nut, 1 locking ring and 1 lockwasher. It is presented in the "Hardware" section of website.

# 10400 series

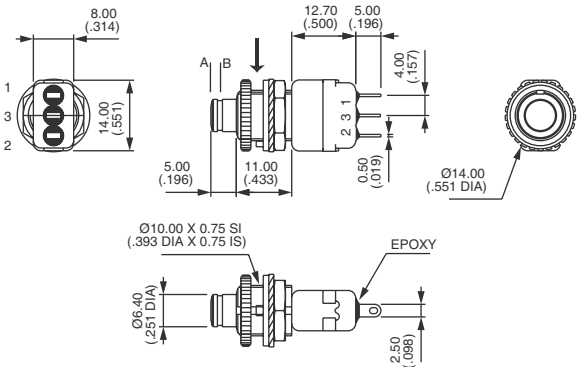
Professional pushbutton switches • threaded bushing Ø 10 mm

## SOLDER LUG TERMINALS - SINGLE POLE



	A	B
	1-2	1-3
Silver contacts		
<b>104350003</b>	ON	MOM
Gold plated silver contacts		
<b>104350108</b>	ON	MOM

→ KEYWAY

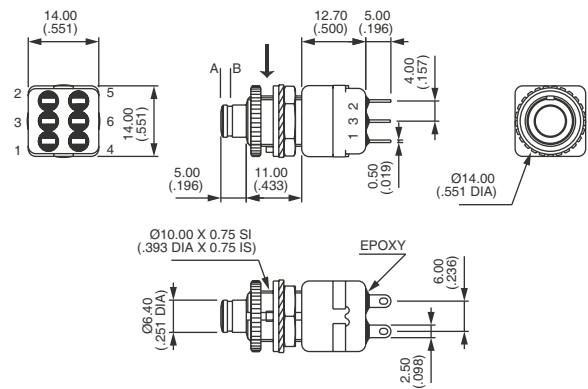


## SOLDER LUG TERMINALS - DOUBLE POLE



	A	B
	1-2 5-4	1-3 5-6
Silver contacts		
<b>104450003</b>	ON	MOM
Gold plated silver contacts		
<b>104450108</b>	ON	MOM

→ KEYWAY



Matt black finish : part numbers on request.

### AGENCY APPROVAL

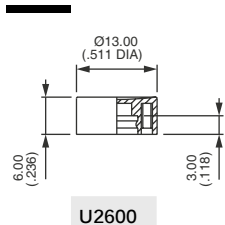
BASIC P/N

**CECC** CECC 96401-001  
**Blank** No agency approval required.

**Availability** : consult factory for details of approved models.  
**Marking** : to order switches marked CECC, please complete above box with CECC.

### CAPS

Order separately.



For cap colors, replace last "0" by number :

1	Blue	6	Red
1/4	Dark blue	7	Ivory
2	Black	7/1	White
3	Green	9	Orange
4	Grey		
5	Yellow		